

AERODROME OBSTACLE CHART

AD2-VIBN14

01 AUG 2007

VARANASI/INDIA

LAL BAHADUR SHASTRI AIRPORT/RWY 09

DIMENSIONS AND ELEVATIONS IN METRES

TYPE -A (OPERATING LIMITATIONS)

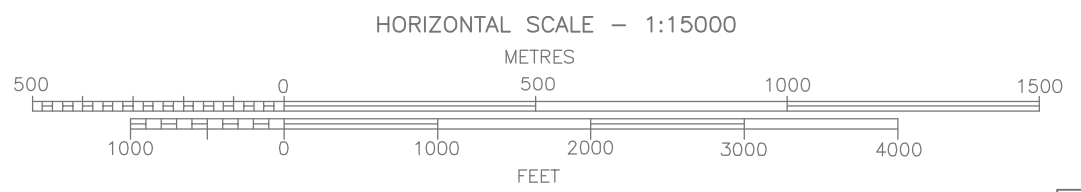
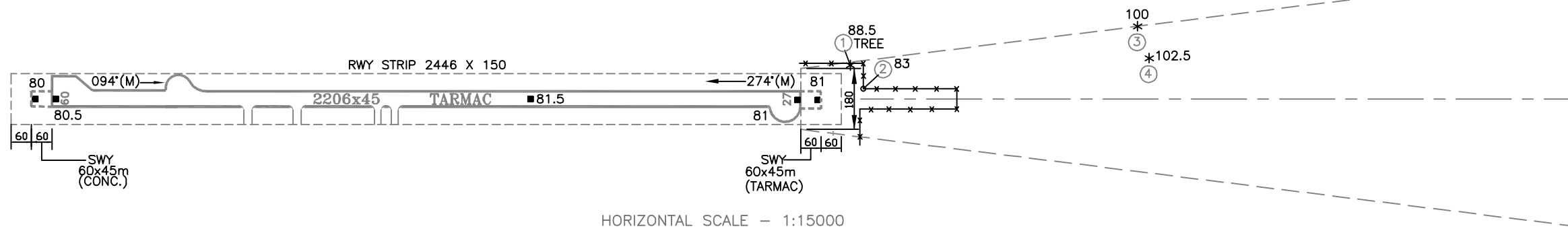
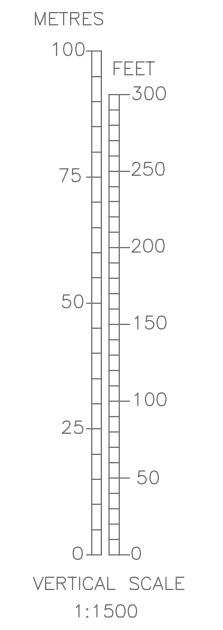
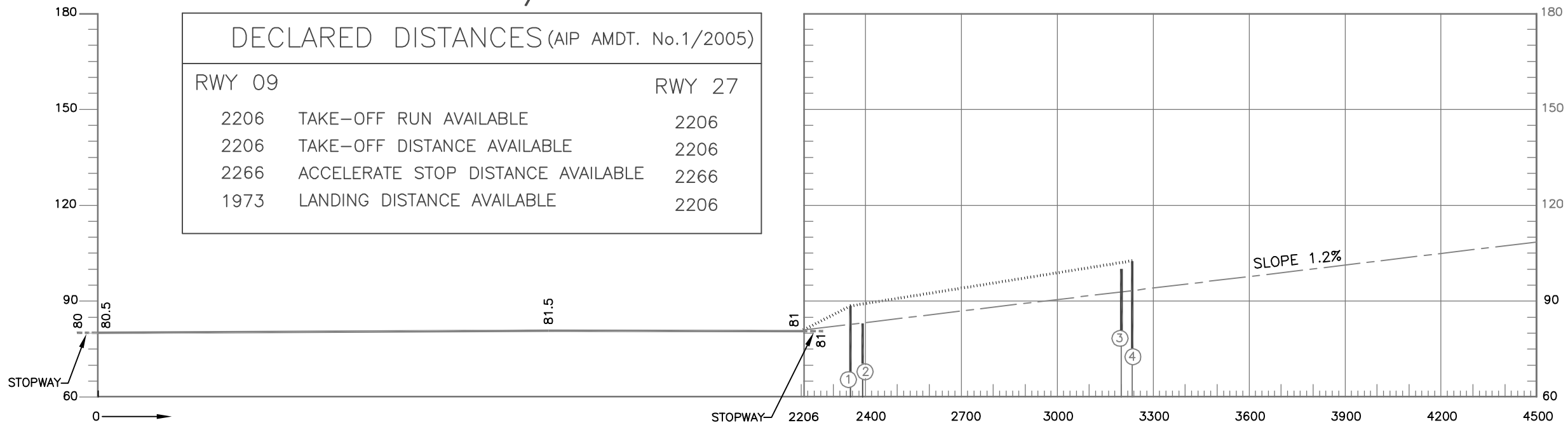
CONSULT NOTAM FOR LATEST INFORMATION

MAGNETIC VARIATION -NIL (1995)

RWY 09/27

DECLARED DISTANCES (AIP AMDT. No.1/2005)

RWY 09	RWY 27
2206 TAKE-OFF RUN AVAILABLE	2206
2206 TAKE-OFF DISTANCE AVAILABLE	2206
2266 ACCELERATE STOP DISTANCE AVAILABLE	2266
1973 LANDING DISTANCE AVAILABLE	2206



L E G E N D	
IDENTIFICATION NUMBER	②
TREE OR SHRUB	*
RWY ELEV.(SPOT)	■81.5
FENCING	-x-x-x-

ORDER OF ACCURACY	
HORIZONTAL	- 1.0m
VERTICAL	- 0.5m

NOTES:-

1. The objects that have been shielded due to presence of other higher objects have not been shown in this chart.
2. Obstructions in the form of trees which are being cut or pruned have not been taken into consideration for establishing threshold displacement.
3. Datum - All Elevations are AMSL.
4. All obstacles shown in this chart are based on aeronautical obstacle Survey Dec.,2005

AMENDMENT RECORD		
NO.	DATE	ENTERED BY