

# AERODROME OBSTACLE CHART

## TYPE-A(OPERATING LIMITATIONS)

AD2-VAUD12

01 AUG 2007

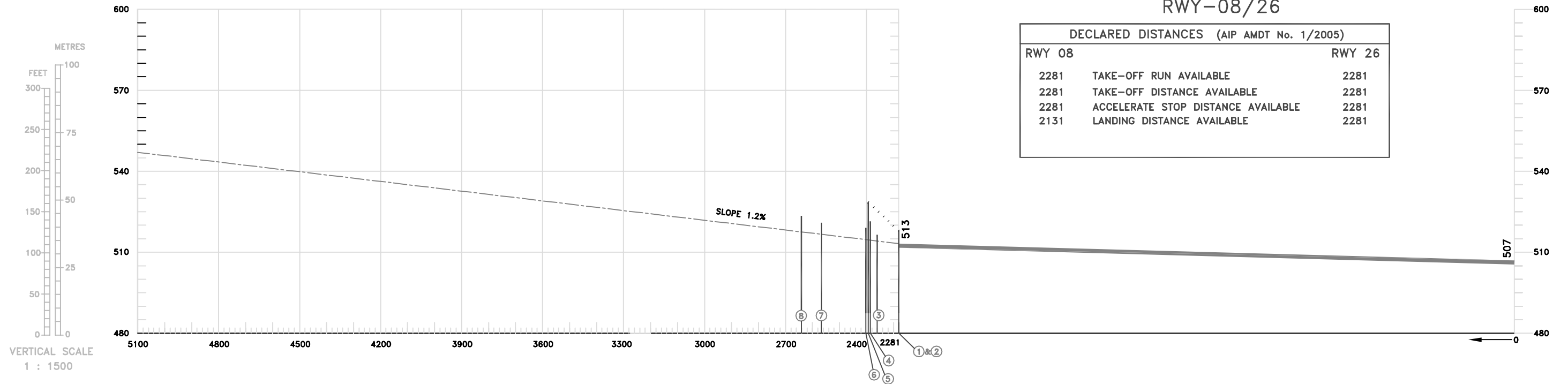
INDIA/UDAIPUR

CONSULT NOTAM FOR LATEST INFORMATION

MAHARANA PRATAP AIRPORT/RWY-26

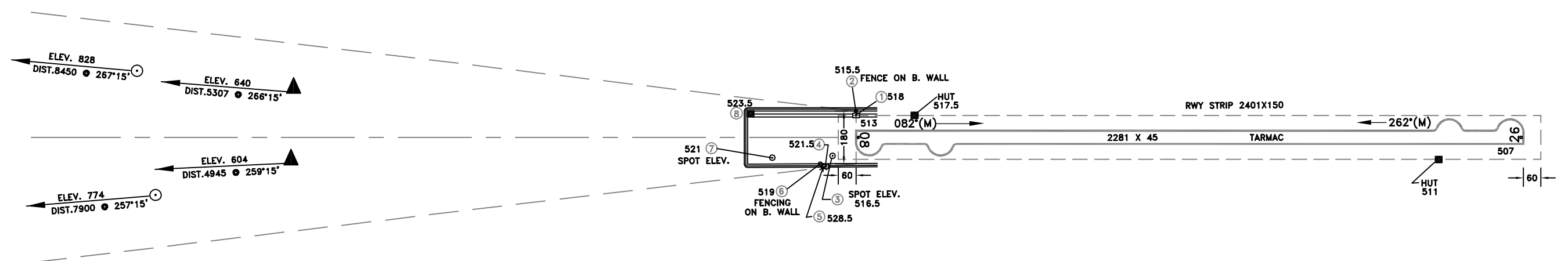
DIMENSIONS AND ELEVATIONS IN METRES

MAGNETIC VARIATION 1°W 1995



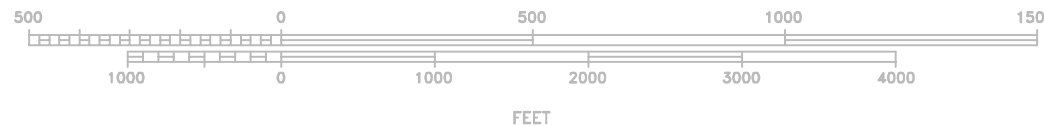
RWY-08/26

DECLARED DISTANCES (AIP AMDT No. 1/2005)			
RWY 08		RWY 26	
2281	TAKE-OFF RUN AVAILABLE	2281	
2281	TAKE-OFF DISTANCE AVAILABLE	2281	
2281	ACCELERATE STOP DISTANCE AVAILABLE	2281	
2131	LANDING DISTANCE AVAILABLE	2281	



HORIZONTAL SCALE - 1 : 15000

METRES



FEET

ORDER OF ACCURACY

HORIZONTAL 1.0m  
VERTICAL 0.5m

LEGEND	
IDENTIFICATION NUMBER	①
TREE OR SHRUB	*
HILLOCK	▲
POLE, TOWER, SPIRE, ANTENNA ETC.	⊙
BUILDING OR LARGE STRUCTURE	■

NOTES:

1. The objects that have been shielded due to presence of other higher objects have not been shown in this chart.
2. Obstructions in the form of trees which are being cut or pruned have not been taken into consideration for establishing threshold displacement.
3. Datum - All Elevations are AMSL.
4. All obstacles shown in this chart are based on aeronautical obstacle Survey Aug, 2004.

AMENDMENT RECORD

NO.	DATE	ENTERED BY